

Installation Guide

837 Series Adjustable Concealed-Arm Lavatory Carrier

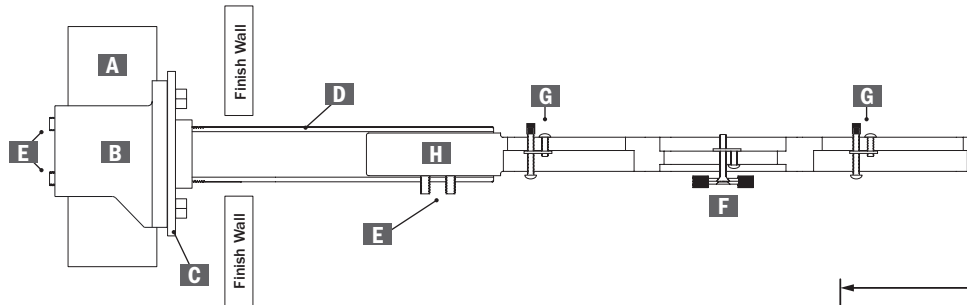


Fig Qty Description

| | | | |
|---|---|------------------------------|-----------------------------|
| A | 1 | Steel 'H' Frame | |
| B | 2 | Cast iron header | |
| C | 2 | Steel adjustment plate | |
| D | 2 | 9" Steel sleeve | |
| E | 8 | Hex socket set screw | |
| F | 2 | Locking device ² | } Arm Assembly ¹ |
| G | 4 | Levelling screw ² | |
| H | 2 | Cast iron arm | |

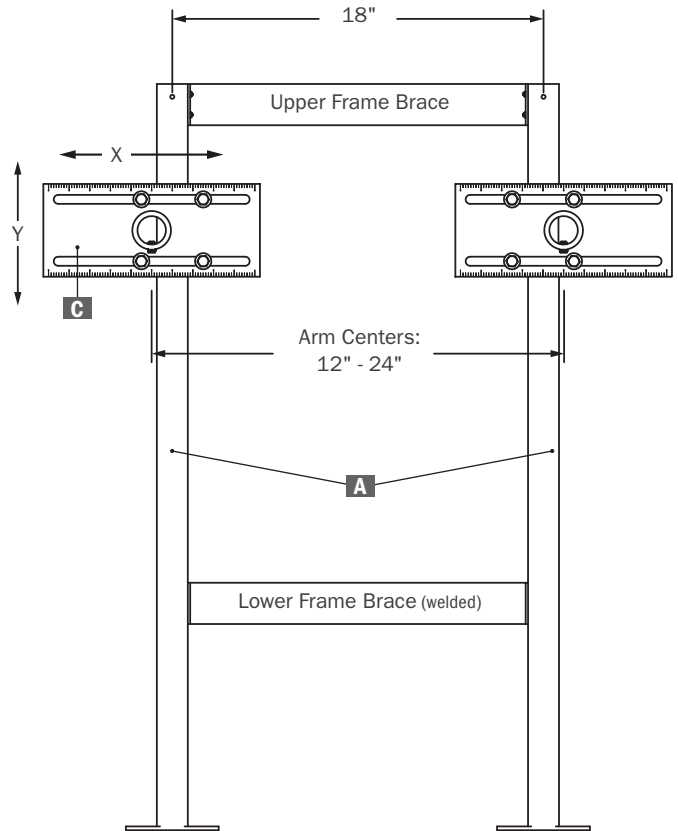
1 Optional Arm Assemblies:

15.75" = S1ARM-ASSY

18.50" = S2ARM-ASSY

22.25" = S3ARM-ASSY

2 Hardware pack (included in Arm Assembly) = HW5000



- STEP 1:** Set frame in correct position and anchor to floor using 1/2" bolts (supplied by others). A minimum of two diagonally placed bolts per upright are recommended for proper installation.
- STEP 2:** Verify header coupling elevation (Y) and tighten set screws (2 ea). Adjust width of arm centers (X) per fixture manufacturer's installation instructions. See Illustration.
- STEP 3:** Assemble upper brace to frame and secure with screws provided
- STEP 4:** Screw threaded sleeve into the header coupling. Set screws should be located at the bottom. The threaded sleeve may not be fully tightened.
- STEP 5:** Insert cast iron concealed arm into threaded sleeve when installing fixture. Adjust overall length of arm and tighten set screws in bottom of sleeve.
- STEP 6:** Position leveling screws and locking device. Install and level fixture and tighten locking device to secure into place.